

Product information sheet ELON XL 6 S

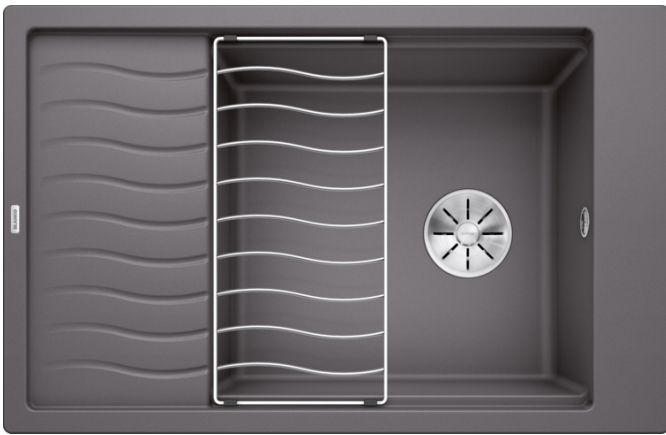
Item no. 524845

Benefits



- Compact single-bowl sink, also suitable for small kitchens
- Practical, comfortable XL bowl
- Clever extendable drainer thanks to the movable stainless steel grid
- Modern undulating design of sink and accessories match each other
- Multifunctional stainless steel drainer grid included in the delivery
- High-quality features with InFino drain system - elegantly integrated and easy-care
- Tap ledge on side, also convenient for window installation
- Can be installed reversibly
- Also available as flushmount version

Colours



Available colours:

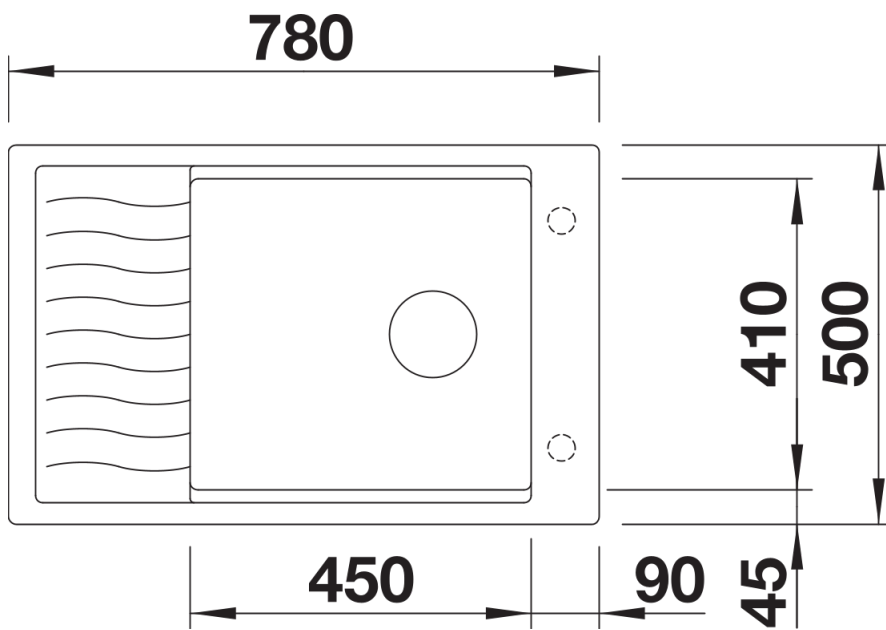
- black
- anthracite
- rock grey
- volcano grey
- alu metallic
- white
- soft white
- tartufo
- coffee

SILGRANIT rock grey

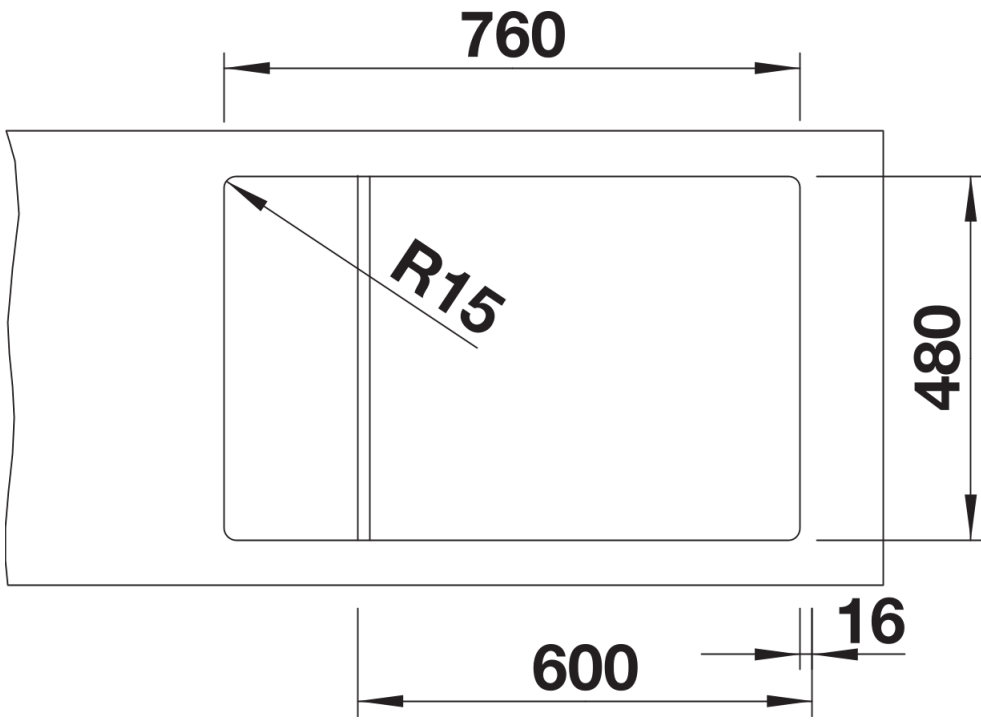
Scope of supply

- stainless steel drainer grid
- waste kit with space-saving pipe
- 3 ½" InFino basket strainer

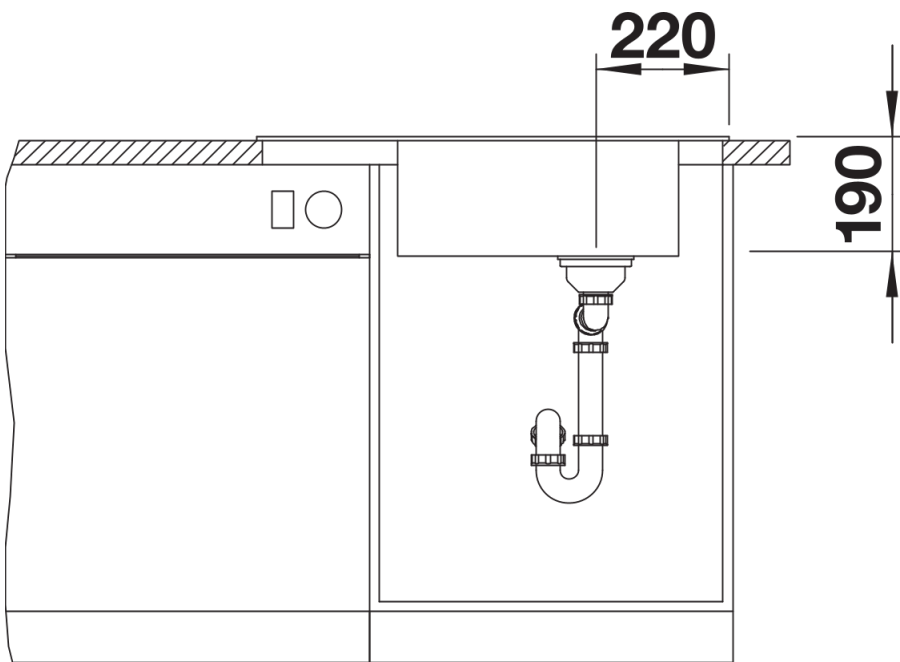
Details



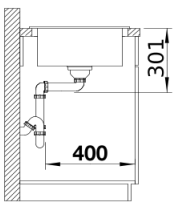
Top view



Cut-out



Front view



Side view