

Product information sheet SUPRA 500-IF/A R12

Item no. 526354

Benefits



- Wide programme
- With integrated tap ledge in just one worktop cut-out
- Elegant IF flat-rim for flushmount and for installation from above
- Practical accessory optional available

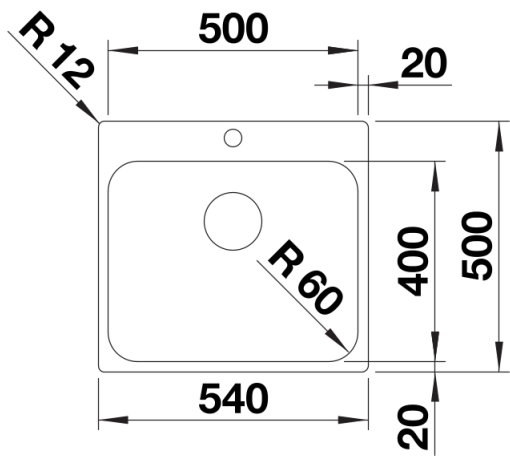
Planning information

- Additional drill hole possible. The subsequent drill hole should be carried out by a specialist company.

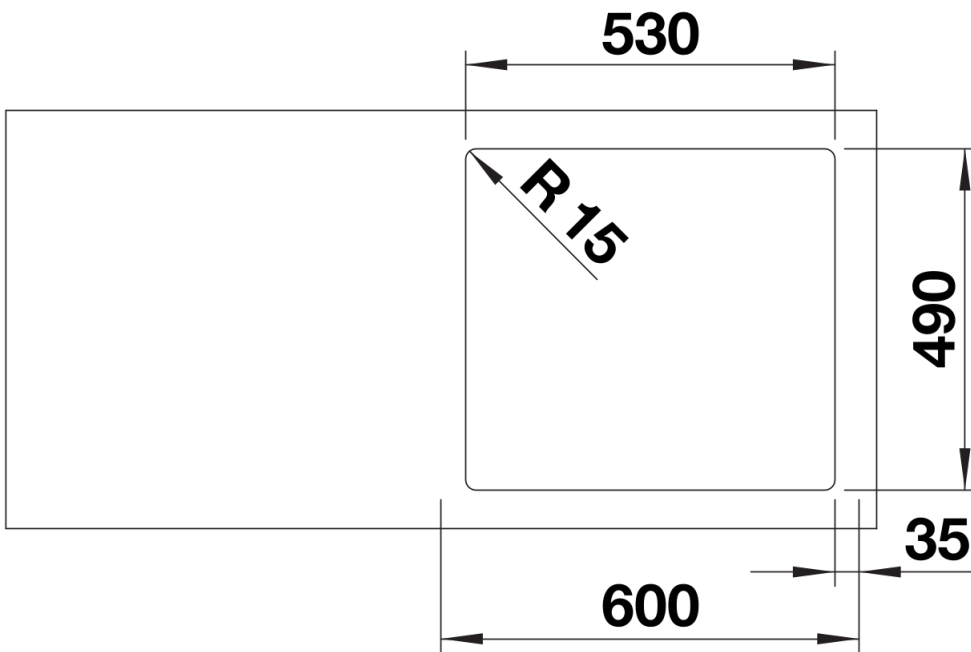
Scope of supply

- waste kit with space-saving pipe
- 3 ½" basket strainer
- fixing kit

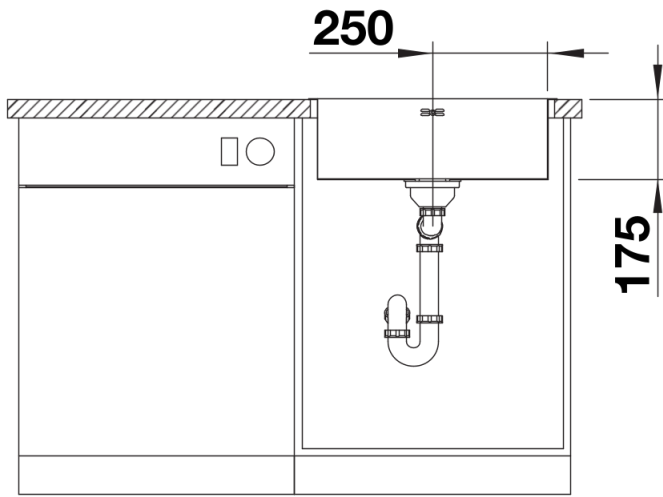
Details



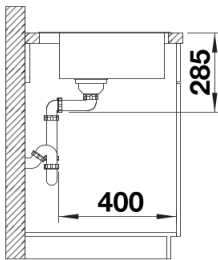
Top view



Cut-out



Front view



Side view