

## Product information sheet FONTAS-S II Filter

Item no. 526672

### Benefits

---



- Comfortable 3-in-1-mixer tap: filtered and unfiltered water out of a pull-out hose
- Black matt surface finish to precisely match the surroundings
- Separate water circuit: cold and warm water lever on the right, filtered water lever on the left
- Extra spout for filtered water – no mixture with mains water
- Space-saving and practical: with the 3-in-1-tap no additional drilling is required for filtered water supply
- Surface finishes to perfectly match sinks and bowls
- Needs to be installed with a water filter system

### Colours

---



Available colours:

black matt

Special colours black matt

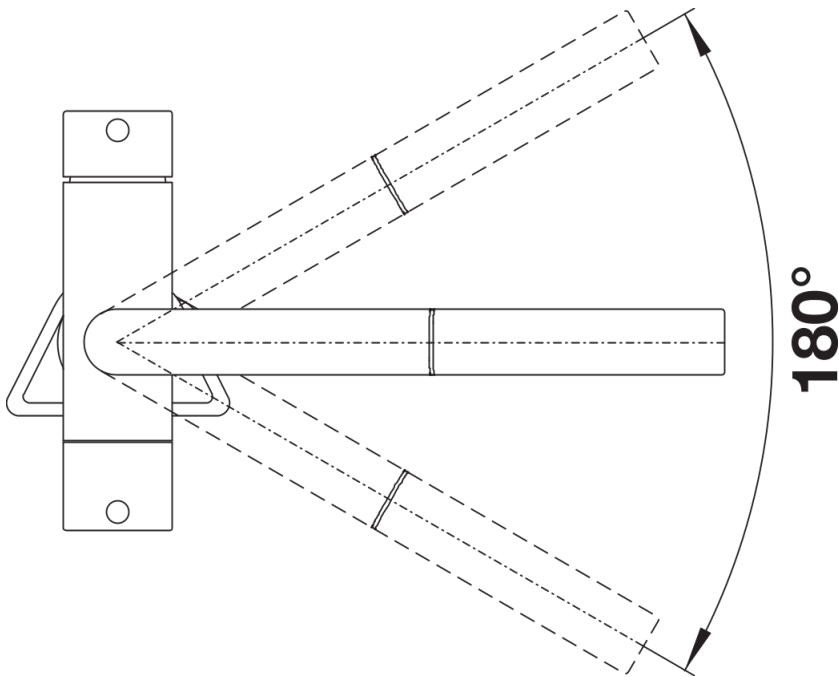
## Scope of supply

---

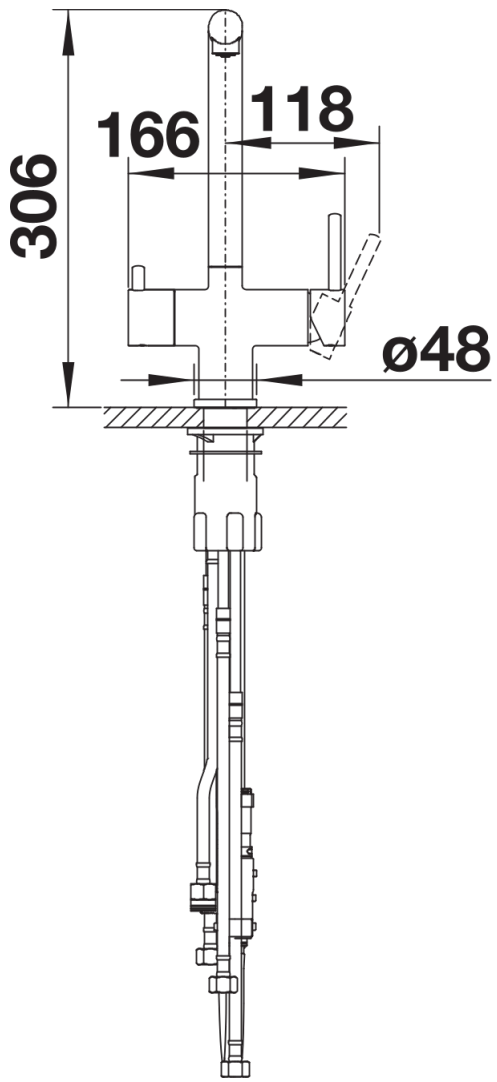
- 180° swivel spout for greater reach
  - Ø 35 mm tap hole required
  - With ceramic disk cartridge
  - Flexible connector pipes, 500 mm long and ½" nut for particularly easy and safe installation
  - Patented jet regulator for markedly reduced scaling
  - Stabilisation plate to increase the stability of the tap when fitted in stainless steel sinks
  - With non-return valve and thus guaranteed against reflux in accordance with EN 1717
- Filter system not included.

## Details

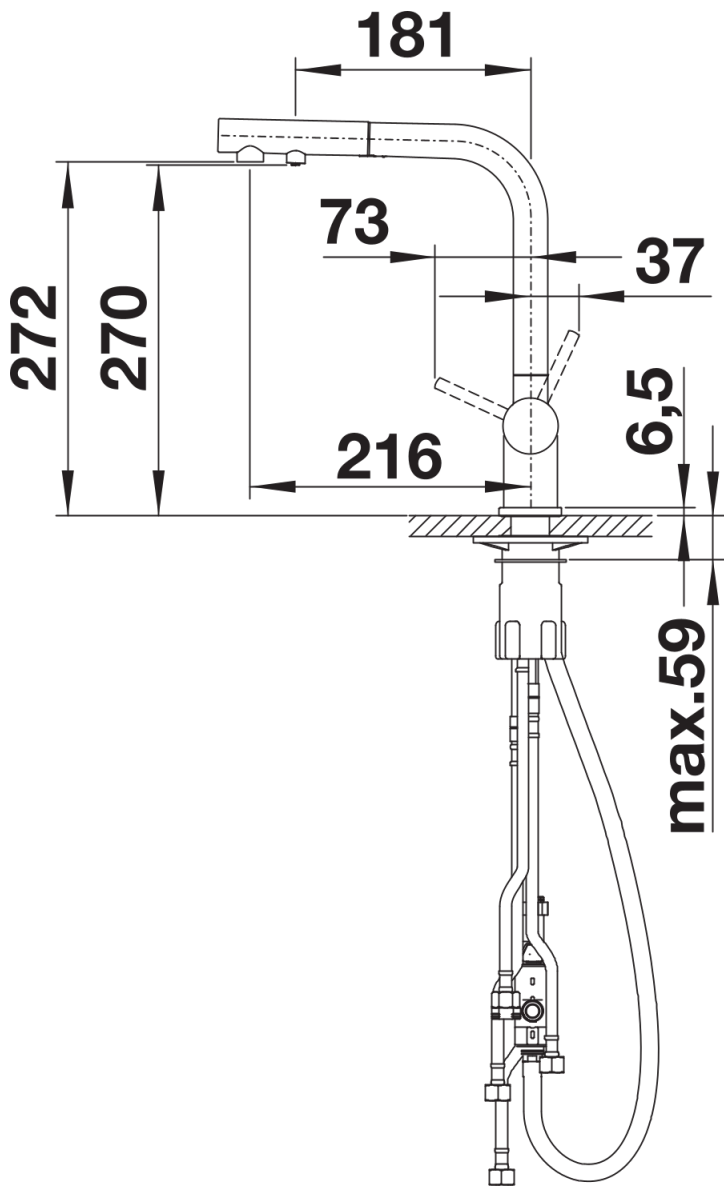
---



Swivel range



Side view hand gear 2D



Side view