

## Product information sheet LINUS

Item no. 526960

### Benefits

---



- Minimalist design
- High spout for easy filling of pans and vases
- Spout can be swivelled through 360° for greater cover
- Design and colour of tap and SILGRANIT sink are a perfect match

### Colours

---



Available colours:

- black
- anthracite
- rock grey
- volcano grey
- alu metallic
- white
- soft white
- tartufo
- coffee

SILGRANIT-Look volcano grey

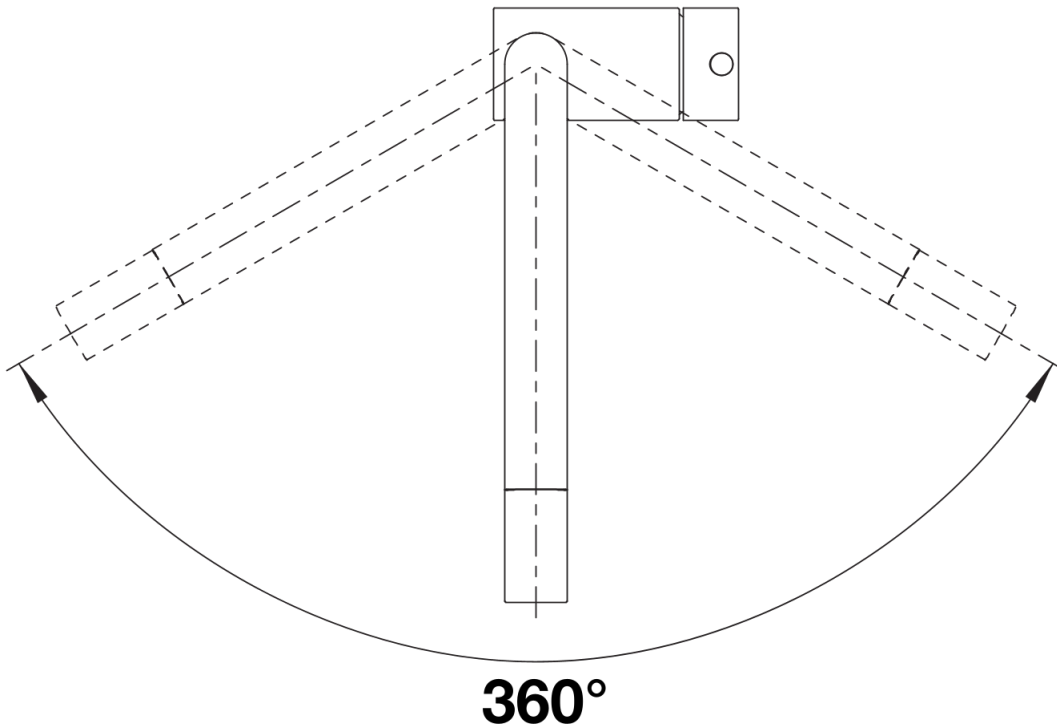
## Scope of supply

---

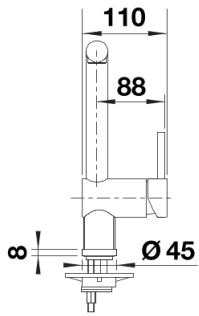
- Single-lever mixer tap
- 360° swivel spout for greater reach
- Ø 35 mm tap hole required
- With ceramic disk cartridge
- Flexible 450 mm connector pipes and  $\frac{3}{8}$ " nut for particularly easy and secure installation
- Patented jet regulator for markedly reduced scaling
- Stabilisation plate to increase the stability of the tap when fitted in stainless steel sinks
- LGA approved
- DVGW approved

## Details

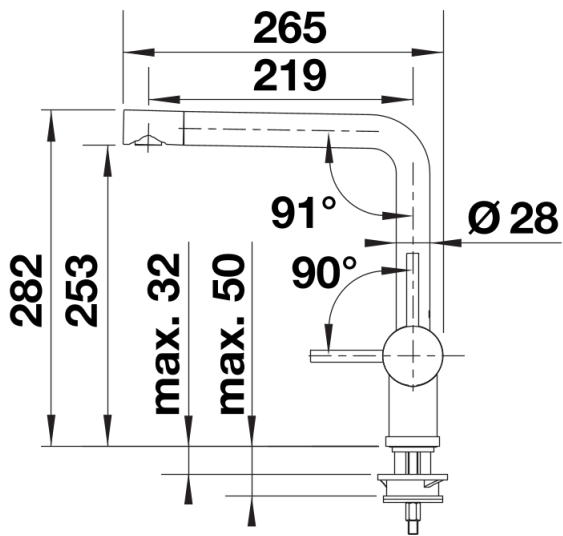
---



Swivel range



Side view hand gear 2D



Side view