

## Product information sheet DALAGO 5

Item no. 518848

### Benefits

---



- Large bowl made for comfort in small spaces
- Continuous tap ledge protects the worktop from water drops
- Modern design with clear lines
- Functional accessories optional available

### Colours

---



Available colours:

- black
- anthracite
- rock grey
- volcano grey
- alu metallic
- white
- soft white
- tartufo
- coffee

SILGRANIT rock grey

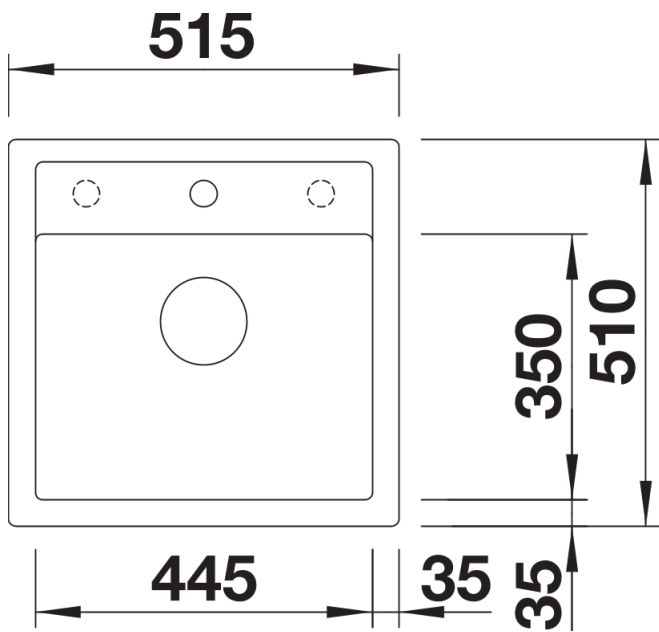
## Scope of supply

---

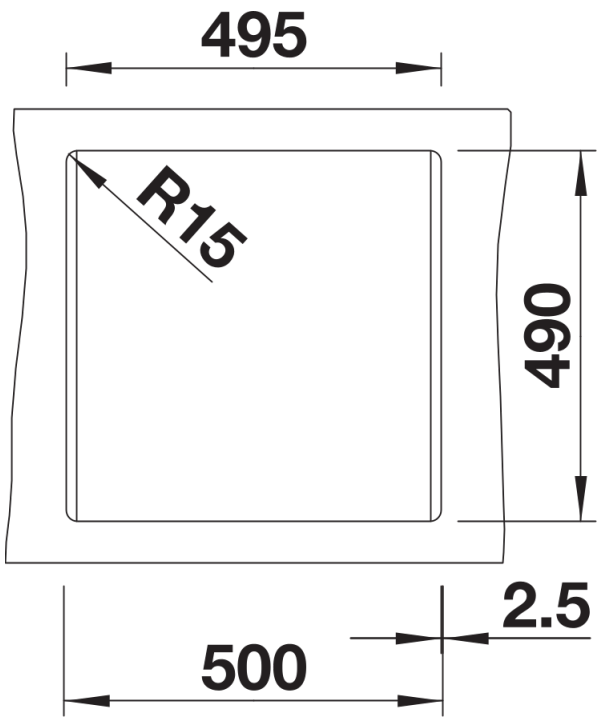
- waste kit with space-saving pipe
- 3 ½" basket strainer with drain remote control (rotary switch)

## Details

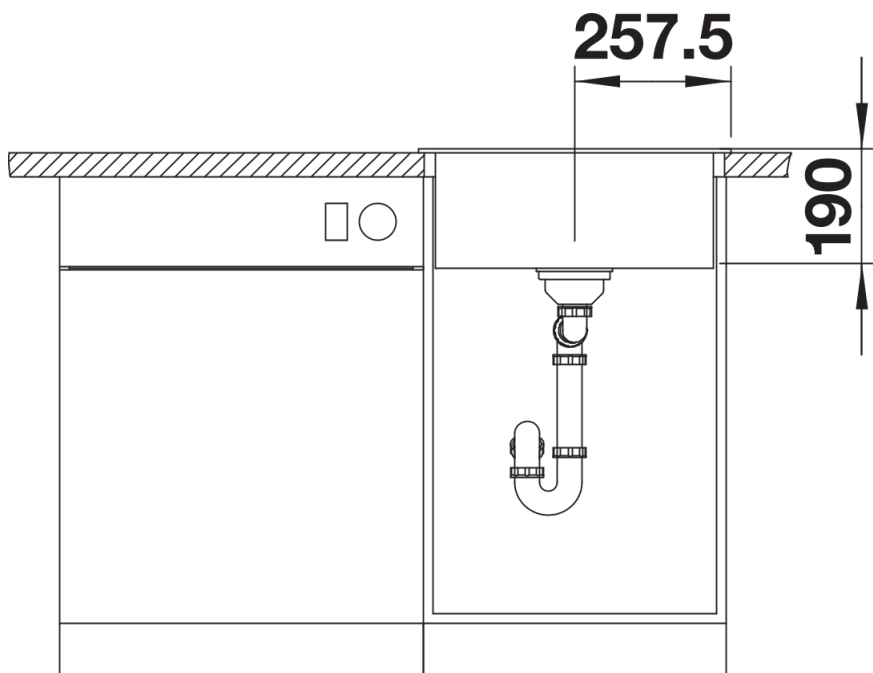
---



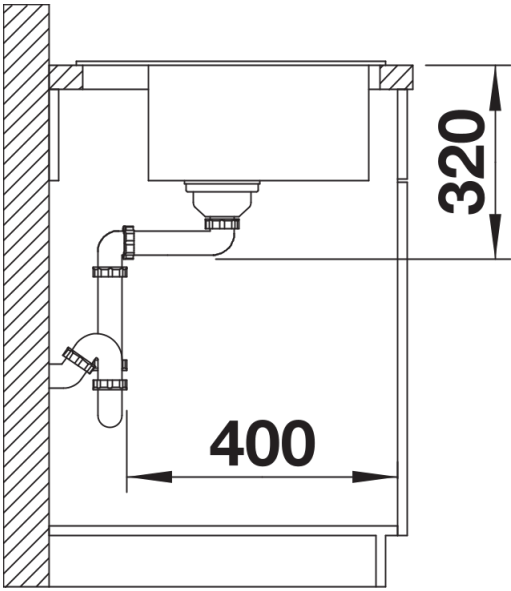
Top view



Cut-out



Front view



Side view