

Product information sheet SUBLINE 500-U Black Edition

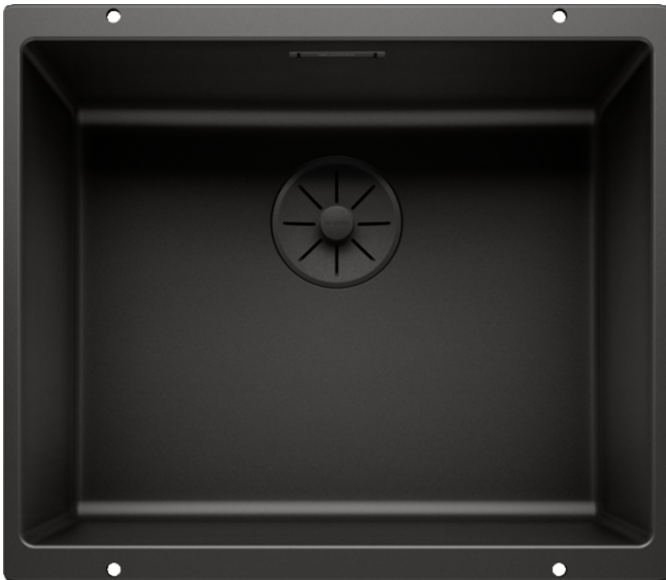
Item no. 526340

Benefits



- Harmoniously coordinated look for modern kitchen designs
- High-quality fittings in timelessly beautiful black matt (C-overflow and InFino drain system)
- Undermount bowl for top-level design requirements
- Timelessly elegant, linear bowl design

Colours



Available colours:
black

SILGRANIT black

Planning information

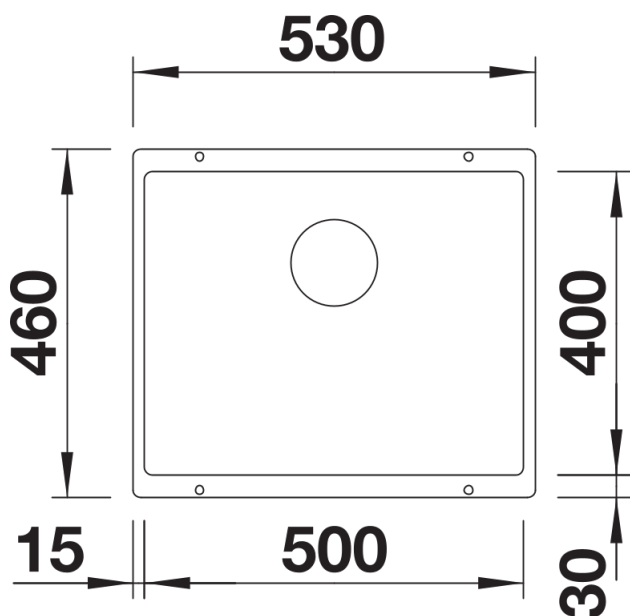
- Cut-out radius: 10 mm
- Note: Please order drain connections for combinations of two individual bowls separately.

Scope of supply

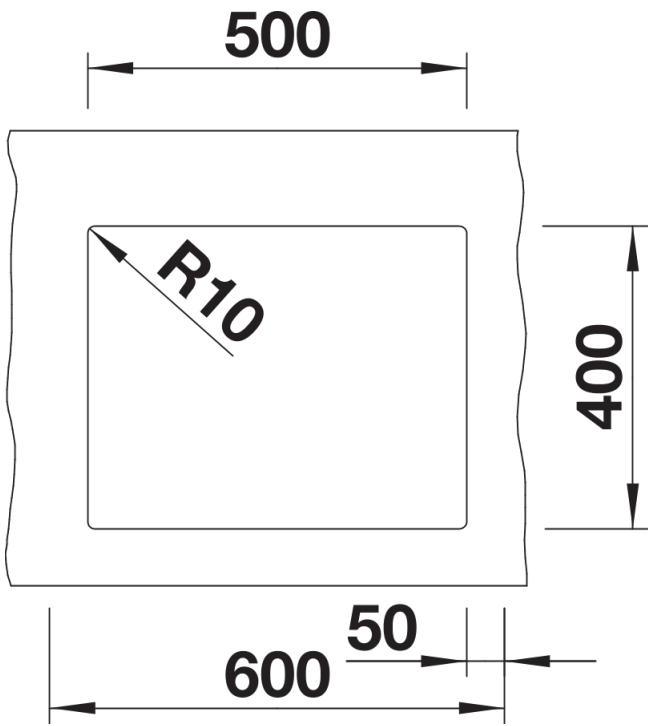
- waste kit with space-saving pipe
- 3 ½" InFino basket strainer
- fixing kit

239975 - Waste and overflow set black matt for single bowls

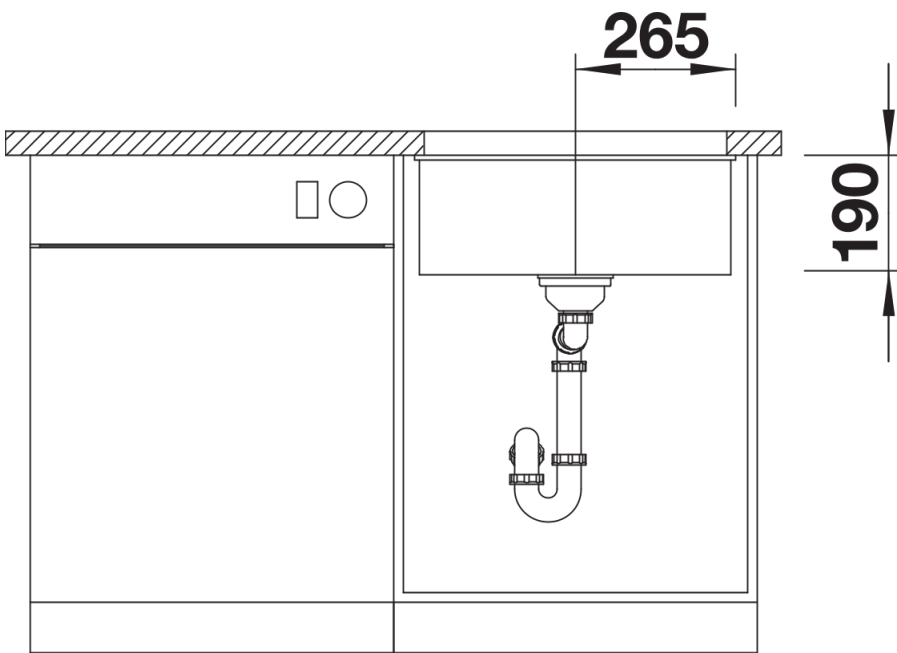
Details



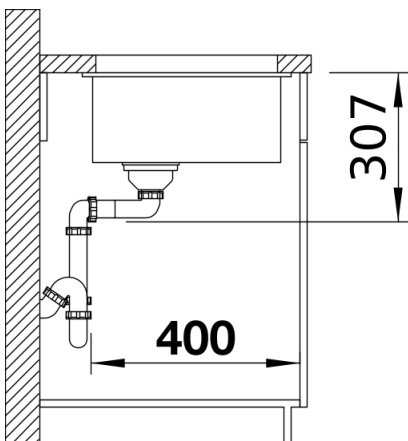
Top view



Cut-out



Front view



Side view