

Product information sheet NAYA 5

Item no. 526579

Benefits



- Generous bowl for multiple works in and around the sink
- Soft internal corners in the bowl for easy cleaning
- Mindful shape that integrates nicely within the kitchen design
- Continuous ledge frames the water area and protects the worktop from water splashes

Colours



Available colours:

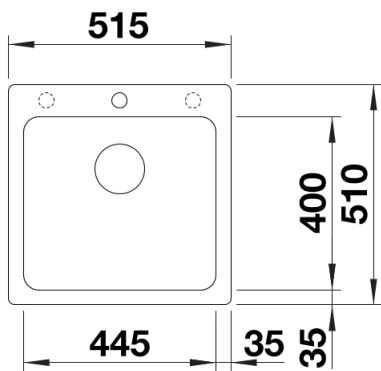
- black
- anthracite
- rock grey
- white
- tartufo
- coffee

SILGRANIT anthracite

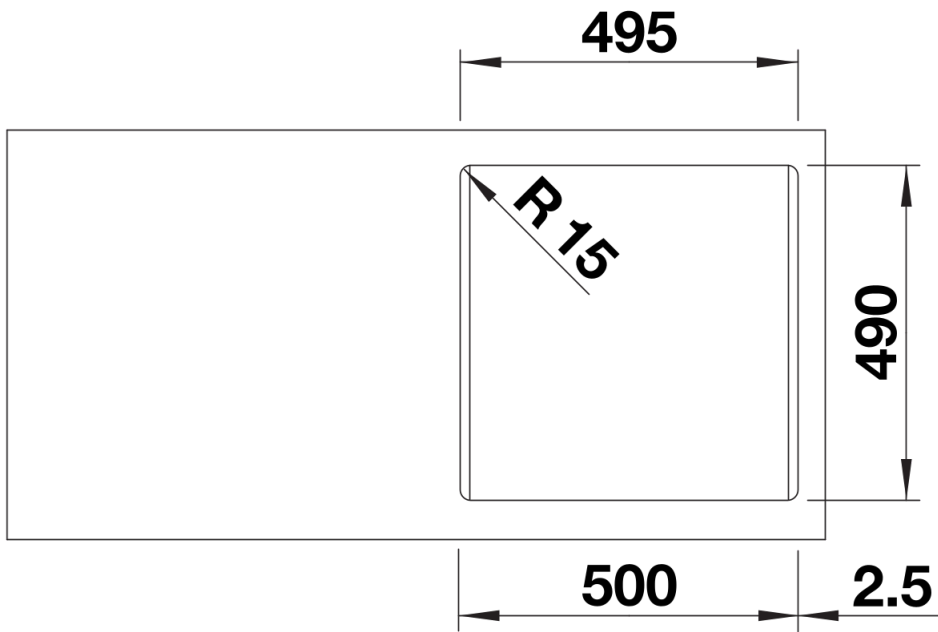
Scope of supply

- waste kit with space-saving pipe
- 3 ½" basket strainer

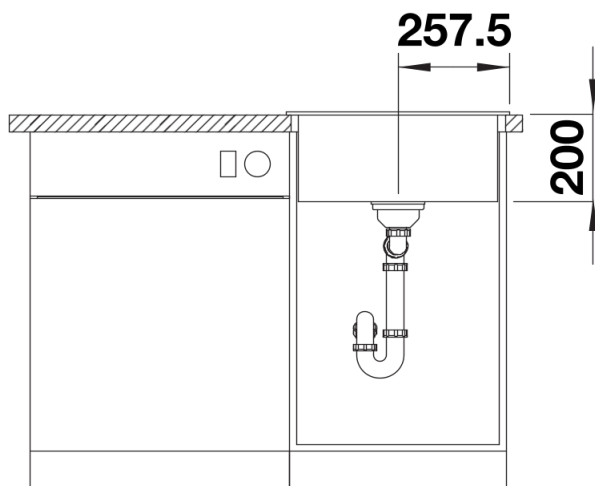
Details



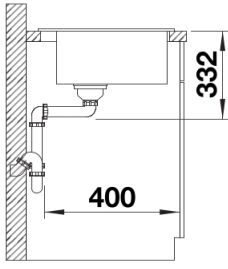
Top view



Cut-out



Front view



Side view